

HSAJET® Print & Verification

PV950F PRINT & VERIFICATION UNIT FOR LAY-FLAT MEDIA

Turnkey Print & Verification solution
for pharmaceutical Lay-Flat Media

HSAJET® PV950F

The solution is designed specially for in-line or off-line printing and verification of flat pharmaceutical packaging, such as unfolded carton, cardboard, sleeves, pouches and blister packs.

HSAJET® Print and verification

The HSAJET® Print and verification software is the control centre of the machine, providing design of jobs, control of print, verification, eject and logging as well as machine interface. All from one single touch monitor.

Configurable design

The system is a modular design comprised from feeder, transport, diverter and exit sections. All modules are made from anodized aluminium. The design provides a high level of freedom in how a system can be configured.

The system is configurable with multiple feeder choices. The modular design provides options for friction, shuttle or vacuum feeder. Changeover between different feeders is easily achieved.

The cabinet is available in anodized aluminium or optionally in stainless steel finish. The transport section is sized to accommodate a label applicator.

Precise transport of products

With this heavy-duty unit, perfect print quality is ensured. Products are transported precisely along the conveyor by 5 belts, while 2 vacuum sections are holding the products in same belt position from entry to exit. Speed is variable and controlled from the touch interface.



Key features

- Complete machine controlled by HSAJET® software and hardware
- The unit makes it possible for the pharmaceutical company to comply with GAMP and 21 CFR part 11 or other present regulatory demands
- Print and verification in accordance with ISO15415 and ISO15416 and other industrial standards
- User-friendly operating of machine, printer and vision via one central touch screen
- Modular and configurable system for in-line and off-line use or for integration with other systems
- Space for label applicator
- Simple and restorable adjustments offering quick product changeover
- Heavy duty and maintenance free unit offering easy setup
- Validation package available

Technical Details

PV950F PRINT & VERIFICATION UNIT FOR LAY-FLAT MEDIA

High Speed Printing at Premium Quality

The combination of HSAJET® Premium printheads and HP TIJ 2.5 thermal inkjet technology provides crisp contrasted images, which meet the demands for pharmaceutical imprints.

Our vast selection of inks makes it possible to print on a wide variety of substrates.

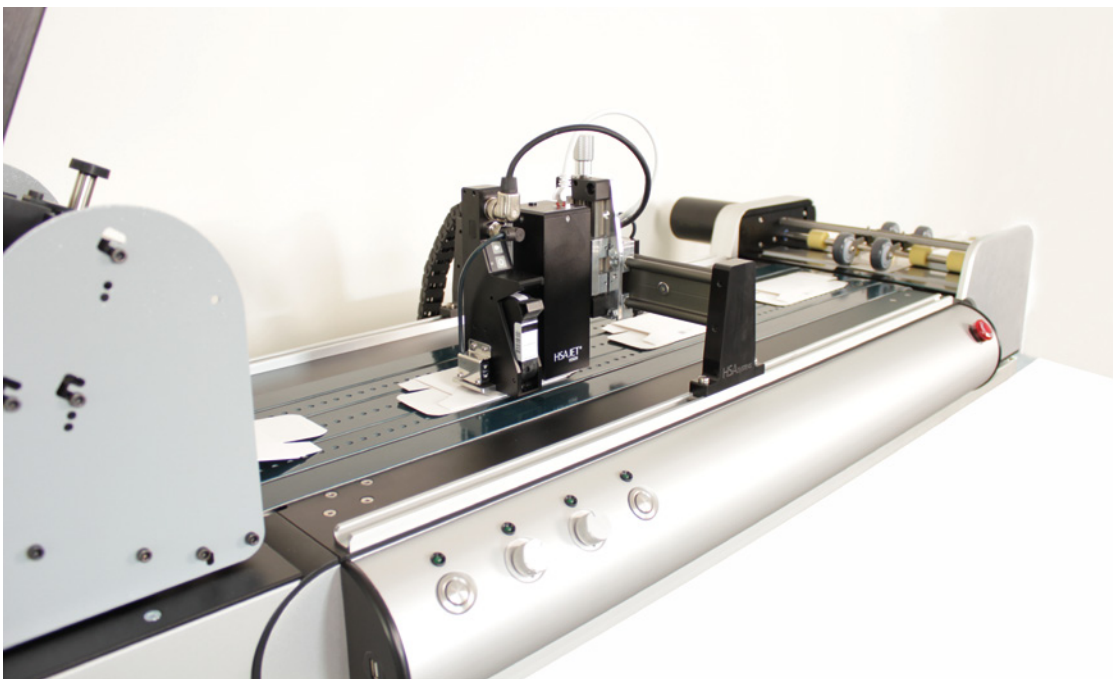
HSAJET® Premium printhead

- Printing resolution up to 600 x 600 DPI
- Made from hard anodised aluminium with a stainless-steel product foot plate
- Robust and compact design, ideal for use in industrial environments
- LED low ink signal and reset button on each head
- An LED indicator illuminates when ink is low, and the indicator can be reset from the keypad once the cartridge has been replaced
- The ink cartridge is easily placed and held in the correct position without a latch
- The unique shape prevents damage to the cartridge contact points when installing the cartridge

HSAJET® Controller

The controller is built with a powerful Intel® Core i7 processor and a fast SSD hard drive for maximum processing power and minimum noise.

For printing features the controller is equipped with the HSAJET® PCI Express based CB6e controller board. This board interfaces between the controller, printhead(s), camera and the I/O connection panel.



Technical Details

PV950F PRINT & VERIFICATION UNIT FOR LAY-FLAT MEDIA

CONVEYOR UNIT

Dimensions (LxWxH)

Complete unit

1700 x 614 x 1575 mm

Feeder section (incl. feeder)

437 x 386 x 815 mm

Transport section

1068 x 486 x 140 mm

Reject section

265 x 555 x 206 mm

Table

1700 x 386 x 760 mm

Power

230 VAC / 50-60 Hz

Encoder

Built in

Environmental conditions

Operating temperature: 10-40° C

Conveyor finish

Anodised aluminium

Cabinet finish

Anodised aluminium
Stainless steel (option)

Belts

5 belts, incl. 3 punched for vacuum

Vacuum sections

2 controllable sections

Running direction

From left to right

Complies to

CE directives

OPTIONS

- Label applicator
- Outfeed catch tray
- Exit shingling conveyor

Accessories

- Uninterruptible power supply (UPS)
- Beacon
- Bridges
- Head mounts
- Bounce rollers
- Product spring straps
- Brackets

FEEDER

Product specifications V1000 feeder

Max. size: 304.8 x 304.8 mm

Min. size: 50.8 x 76.2 mm

Min/max thickness: 0.07-25.4 mm

VISION SYSTEM

Camera

HSAJET® VS2

Resolution

1280 x 1024 px

Inspection area

45 x 45 mm

Light

Integrated light

Shielding against stray light with diffuser for glossy substrates.

USER INTERFACE

Display

15" Touch monitor

Software

HSAJET multi-lingual software for printing, grading and HMI (PGH). Controls the machine from one interface

VERIFICATION & GRADING

Verification

Verification of printed text, 1D, 2D code

Grading

Quality of 1D/2D code is determined.

Grade level between F and A (0-4).

Quality of Unicode text is determined.

with a font-based reference scheme

Grade level between 0 and 100.

Qualification of printed items

in accordance with industrial standards, ISO/IEC 15415 and 15416

Datamatrix standard

according to GS1 and ISO/IEC 16022

Barcode standard

PIATS code according to ISO/IEC 15417

Text standard

OCR-B font (possible to use other fonts)

PRINTING SYSTEM

Technology

HSAJET® Premium printheads

HP TIJ 2.5 technology

Print height

12.7-25.4 mm / ½"-1" / 1 or 2 pens

Print resolution

up to 600 DPI

Print distance

0.5-5.0 mm dependent on ink and speed, typically 0.5-2.0 mm (nozzle to print surface)

Ink supply

HP 45 ink cartridges, water and solvent based inks

Printhead features, e.g.

Purge and ink reset button

LED indication for cartridge detection and low ink

Switch for cartridge detection

Machine controller

I/O LVDS connection board

CB6e controller board

Intel® Core i7 processor

PRODUCTION

Print position

Print on back

Print on front (optional)

Carton size (max)

A: 40-210 mm (leading edge)

B: 10-75 mm (height)

C: 125 mm (printed side)

Line speed

Variable up to 90 m/min

Throughput

200¹ units/min

250² units/min

1) Printing and verifying 1 Datamatrix and 4 lines of text (150 mm long product)

2) The actual throughput is dependent on size, shape and quality of the product

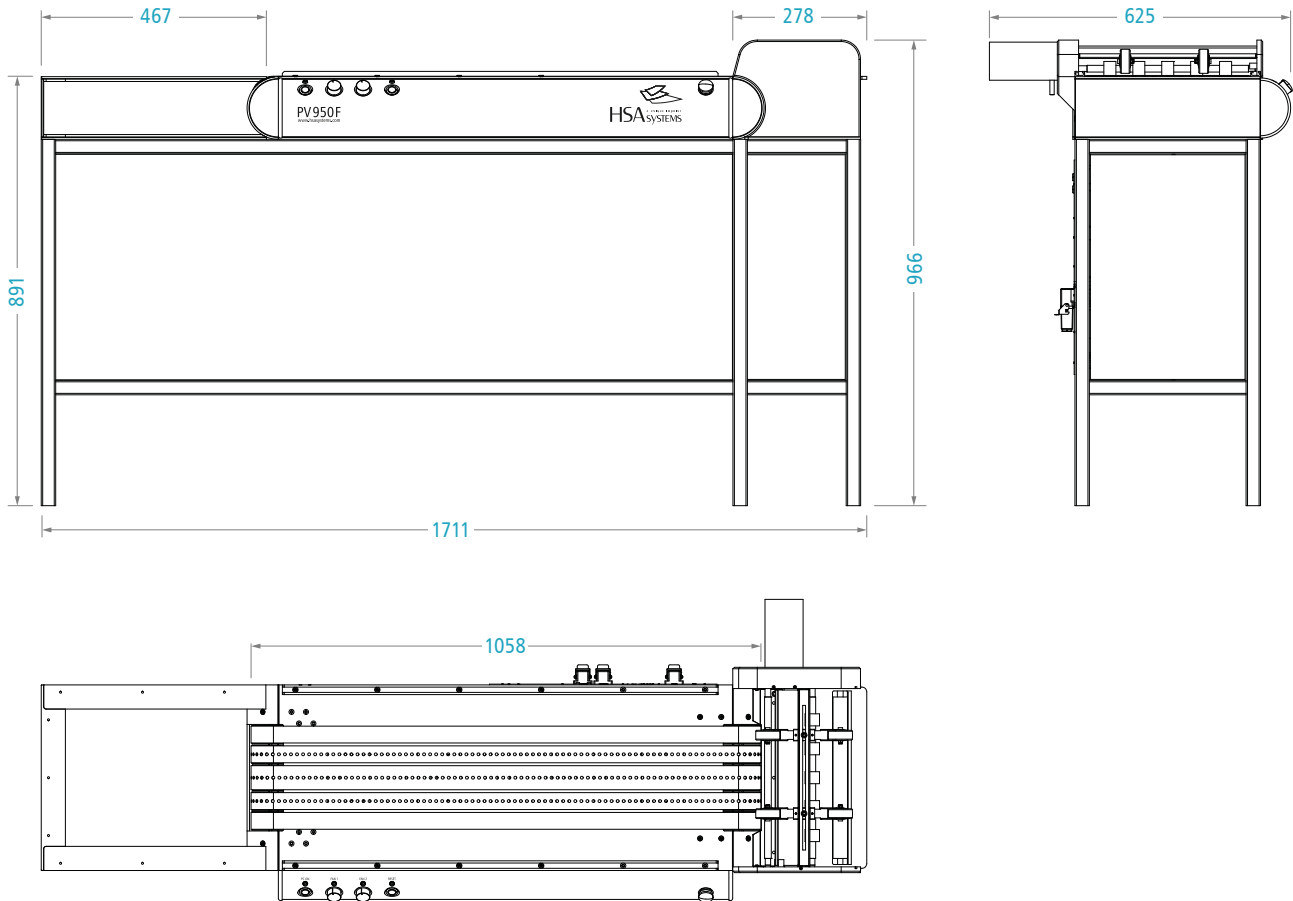
Precise position control

Synchronized top and bottom belts and sensors ensure that the exact position is known during the carton's travel along the conveyor.

If a carton is incorrectly positioned, the conveyor stops.

Technical Details

PV950F PRINT & VERIFICATION UNIT FOR LAY-FLAT MEDIA



Drawing not to scale

DISTRIBUTOR:



HSA Systems (head offices)
DENMARK | SKOVUNDE +45 4494 0222 | ODENSE +45 6610 3401

HSA Systems (subsidiary offices)
FRANCE +33 1 4815 5050 | GERMANY +49 5257 938 6777

www.hsasystems.com | mail@hsasystems.com